

# ALARM LOCK



**#1 Rated Alarm Lock Trilogy Keyless Standalone & Wireless Network Access Networked Lock Solutions**



## Easy-to-Install, Low-Maintenance, Class-Leading Electronic Access Locks in Standalone and Networked Series

- Trusted by more leading national retailers, firms, hospitals, schools & airports because:
- Install in minutes; Eliminate the need for keys & distribution
- Styles & architectural finishes, including new Matte Black US 19, and models to fit virtually any door or exit trim
- Grade 1 durable, vandal-resistant, indoor/outdoor models
- Access for 100 to 5000 PIN code or HID Prox ID-Card users
- Class-Leading Longest Battery Life, Lowest Maintenance & TCO
- Standalone Trilogy® locks or Networx™ wirelessly networked models (pg 4) with global-lockdowns and updates eliminate door-to-door operations
- All Trilogy DL/PDL Models now weatherproof as standard -31 to 151 °F (-35 to 66 °C)
- Models w/ Time-/Date-Stamped reports of door use
- Models with Real-time automated lock/unlock schedules save workforce
- Control access from one or both sides of door; Manual Key Override



DL2700IC IC Core Prep, shown



## Electronic Standalone Locking in Cylindrical, Mortise, Narrow Stile & Exit Trim

### DL2700: Trilogy® T2™ Standalone Digital Cylindrical Lock

- Leading #1 Access Control Lock in its Class year after year: DL2700
- More codes: up to 100 3-6 digit codes: 1 master, 10 managers, 90 basic users, 3 one time service codes
- 5AA battery operated; 5 years battery life or 200,000 cycles, typ.
- Grade 1 Durability. Rugged Clutch Mechanism
- All Trilogy Models now weatherproof as standard -31 to 151 °F (-35 to 66 °C)
- **DL2700IC** IC Core Prep version



*Also available with Double-sided Keypad Access on two sides of door (DL5200)*

### DL2700LD: Trilogy® T2™ Cylindrical Lock w/ Lockdown via Keyfob

- Ideal for School & Campus Security
- Lockdown up to four locks with remote keyfob, supplied. (up to 50/lock)
- T2 Lock on the front, but with bright visual lockdown indicator bar on inner door (shown at right)
- Up to 100 different user codes (3-6 digits)
- Long battery life
- Grade 1 Durability
- All Trilogy Models now weatherproof as standard -31 to 151 °F (-35 to 66 °C)



*2" Remote Keyfob controls up to 4 locks and works up to 100' away (RR-4KEYFOB)*

*(Back of lock w/ strobe, shown)*

### ETDL2700: Trilogy® Exit Trim

- Add Trilogy keyless pushbutton convenience to any panic exit bar
- Avoid key costs and associated distribution hassles
- Fingertip programming of multiple user codes
- Models available for Von Duprin™, Sargent™, Yale™, Corbin/Russwin™, Dorma™, Marks M9900 or Arrow™ push bars
- All Trilogy Models now weatherproof as standard -31 to 151 °F (-35 to 66 °C)
- Long battery life



### DL2700CR/DB: Trilogy® T2™ Series Mortise Lock

- Trilogy T2 Keyless Access Lock for mortise door prep
- High security mortise locking
- Fingertip access and programming flexibility
- 1<sup>3</sup>/<sub>8</sub>" mortise cylinder included
- Choice of classroom or deadbolt functions & finishes
- Long battery life
- All Trilogy Models now weatherproof as standard -31 to 151 °F (-35 to 66 °C)



### DL1200: Trilogy® T2™ Series Narrow Stile Lock

- Add Trilogy T2 keyless PIN access anywhere there's a glass door
- Aluminum door retrofit outside trim for most Adams Rite® Series Latch Locks
- Fingertip programming of up to 100 3-5 digit user codes
- Long-life battery operated
- All Trilogy Models now weatherproof as standard -31 to 151 °F (-35 to 66 °C)
- Thumbturn (25) or Knob (50) options, inside door



*Also available for panic exit doors, Narrow Stile Exit Trim (DL1200ET)*



## DL3200: Trilogy® T3™ Digital Cylindrical Enhanced Audit Trail Lock

- New! Replacing DL2800 with Even More Features (than both the DL2800 or DL3000)
- 2000 3-6 multilevel user codes w/ more 'one-time' service codes
- 40,000 high capacity event audit trail
- 500 scheduled events
- Keypad or PC programs/reports & prog. remote release
- Quick passage mode (w/o being in program mode)



## PDL3000

- Original Audit Trail Lock with or without Prox
- 300 multi-level users; 1600 event log

## PDL5300

- Double-Sided version of PDL3000, w/ or w/o Prox Reader (DL5300)

## P/DL4100 Trilogy® T3™ Privacy Locks w/ Inner Pushbutton - Features of the PDL3000 plus:

- Privacy Pushbutton – Push button on inside door to temporarily lock-out keypad codes (option)
- Occupied & multi-status LED indicator, flashes when privacy session is active
- Self-stick instructional signage,
- Keypad or PC programs/reports
- Right- or left-hand, classroom or deadbolt function
- 1<sup>3</sup>/<sub>8</sub>" mortise cylinder & ASA strike
- PDL4500 Mortise Privacy Lock, uses thumbturn on back for activation (also PDLN4500 in Network Series)



## Trilogy® Standalone PIN/Prox Access Lock Features by Model:

Model & Feature	DL2700	DL2700LD	DL2700CR/DB	DL1200 Series	ETDL27 Series	DL3200
Lock Type	Cylindrical	Cylindrical	Mortise	Narrow Stile	Exit Trim for use w/ Panic Device	Cylindrical
User Codes	100 +3 +1	100 +3 +1	100 +3 +1	100 +3 +1	100 +3 +1	2000 multilevel
Code Length	3-6 digits	3-6 digits	3-6 digits	3-5 digits	3-6 digits	3-6 digits
Programming	Keypad only	Keypad only	Keypad	Keypad	Keypad	Keypad only
Vandal-Proof Keypad	All metal, 12 button <i>For Double-Sided Keypads: Model DL5200</i>	All metal, 12 button	All metal 12-button	All metal 12-button	All metal 12-button	All metal, 12 button
Audit Trail Events						40,000
Scheduled Events						500
Quick Passage Mode						Yes
Programmable Remote Release						Yes
Trim w/Rugged Clutch	Straight or curved lever	Straight or curved lever	Straight or curved lever	Straight lever, thumbturn (25) or knob (50)	Straight or curved lever	Straight or curved lever
Dimensions, Outside	3 <sup>1</sup> / <sub>4</sub> "W x 8"H, 6 <sup>3</sup> / <sub>16</sub> " at lever	3 <sup>1</sup> / <sub>4</sub> "W x 8"H, 6 <sup>3</sup> / <sub>16</sub> " at lever	3"W x 11 <sup>1</sup> / <sub>16</sub> "H, 6 <sup>3</sup> / <sub>16</sub> " at lever	14 <sup>3</sup> / <sub>8</sub> "H x 1 <sup>5</sup> / <sub>8</sub> "D x 1 <sup>3</sup> / <sub>4</sub> "W	3"W x 11 <sup>1</sup> / <sub>16</sub> "H, 6 <sup>3</sup> / <sub>16</sub> " at lever	
Privacy/Lockout	<b>DL4100 with Inner Button</b>	Lockdown Indicator bar & Keyfob incldd				
Special Model Ordering	<i>Options - DL2700IC Interchangeable Core vsn; Double Sided Keypad Access, DL5200</i>		<b>CR Classroom or DB Deadbolt</b>	<b>Option - Narrow Stile Exit Trim DL1200ET</b>		
Weather-Proof -31 to 151° F	Standard	Standard	Standard	Standard	Standard	Standard
Handing	Nonhanded	Nonhanded	Handed; Field Reversible	Nonhanded	Nonhanded	Nonhanded
Door Thickness	1 <sup>5</sup> / <sub>8</sub> - 1 <sup>7</sup> / <sub>8</sub> " (others on request)	1 <sup>5</sup> / <sub>8</sub> - 1 <sup>7</sup> / <sub>8</sub> " (others on request)	1 <sup>5</sup> / <sub>8</sub> - 1 <sup>7</sup> / <sub>8</sub> " (others on request)	1-3/4"	1 <sup>5</sup> / <sub>8</sub> - 1 <sup>7</sup> / <sub>8</sub> " (others on request)	1 <sup>5</sup> / <sub>8</sub> - 1 <sup>7</sup> / <sub>8</sub> " (others on request)
Backset	2 <sup>3</sup> / <sub>4</sub> " (incldd); 2 <sup>3</sup> / <sub>8</sub> "opt.	2 <sup>3</sup> / <sub>4</sub> " (incldd); 2 <sup>3</sup> / <sub>8</sub> "opt.	2 <sup>3</sup> / <sub>4</sub> " (included)	3 <sup>1</sup> / <sub>32</sub> , 1 <sup>1</sup> / <sub>8</sub> & 1 <sup>1</sup> / <sub>2</sub> "		2 <sup>3</sup> / <sub>4</sub> " (incldd); 2 <sup>3</sup> / <sub>8</sub> "opt.
Cylinder	Large key-in-knob, incld -or- IC Prep for Best/Falcon/Arrow (w/o cyld.)	Large key-in-knob, incld -or- IC Prep for Best/Falcon/Arrow (w/o cyld.)	1 <sup>3</sup> / <sub>8</sub> " mortise cylinder, supplied.	Generic Rim cylinder, supplied. 1 <sup>1</sup> / <sub>8</sub> , 1 <sup>1</sup> / <sub>4</sub> , 1 <sup>1</sup> / <sub>2</sub> " supported.	Generic Rim cylinder, supplied. Other mfrs. - Cylinder Adapters must be ordered separately.	Large key-in-knob, incld -or- IC Prep for Best/Falcon/Arrow (w/o cyld.)
Special Order Cylinders	Yale, Medeco, Sargent, Corbin/Ruswin, Schlage	Yale, Medeco, Sargent, Corbin/Ruswin, Schlage	(Others available on request thru factory)			Yale, Medeco, Sargent, Corbin/Ruswin, Schlage
Relay Options	Yes	Yes	Yes	Yes	Yes	Yes
Battery/Cycles Typical	5AA; 200000 or up to 5 years	5AA; 100000 or up to 3-4 years	5AA; 60000	2-3VLithium, 100000	5AA; 60000	5AA; 200000 or up to 5 years
Ratings	BHMA Grade 1 Lockset; 3hr. Fire Rated UL	BHMA Grade 1 Lockset; 3hr. Fire Rated UL	3hr. Fire Rated UL	3hr. Fire Rated UL		BHMA Grade 1 Lockset; 3hr. Fire Rated UL
Architectural Finishes	US26D, US19, 10B	US26D, US19, 10B	US26D, US19, 10B	US26D, US19, MS, MB	US26D, US19, 10B	US26D, US19, 10B

††† Note: For Optional use w/ NetPanel 2-Door Panel. Keypads have NO real-time platform support options. Note: Standard finishes are US26D Satin Chrome & US 19 Black 10B Duronodic. Consult factory for any other finishes. All products proudly backed by 2-year factory warranty.

## Trilogy® T2™ Series Standalone Access Lock Ordering Information:

- DL2700** Electronic Digital Lock, easy retrofit for standard locksets, keypad-programmable, weatherproof
- DL2700IC** Interchangeable Core Prep version of above. (IC Prep for Best/Falcon/Arrow (cylinder not incldd.))
- DL2700LD** With LocDown™ Indicator Light Bar & Keyfob
- DL2700CR** T2 Mortise, Classroom version
- DL2700DB** T2 Mortise, Deadbolt version
- DL3200** New Audit Trail Security Lock, keyless entry for up to 2000 users
- DL1200/1300** Models for Narrow Stile Glass Doors
- DL1200ET** T2 Narrow Stile Exit Trim for use with Panic Devices (generic rim cyl. supplied)

- ETDL27** T2 Exit Trim for use with Panic Devices (generic rim cyl. supplied)
- DL/PDL5300** Dual-Sided PIN only, or PIN/Prox Lock with audit/trail
- PDL3000** Original Audit Trail with or without Prox
- DL/PDL4100** T3™ Privacy Locks with Inner Pushbutton
- DL5200** Dual-Sided Keypad Access
- RR-4KEYFOB** Optional Remote Release Kit
- RR-TRILOGYKIT** Optional Remote Release Kit
- DL-WINDOWS** Free Alarm Lock Trilogy Windows-based database software online at [www.alarmlock.com](http://www.alarmlock.com)

See Trilogy Network™ Locks for wireless network capabilities

Save door-to-door labor, Networkx communicate, program & lock-down wirelessly on schedule or on-demand

- Broadest line, simply retrofits standard locksets on every door & application, inside & out
- Wireless Trilogy<sup>®</sup> Networkx<sup>®</sup>, Grade 1, advanced access networked locks, eliminate door-to-door operations, saving labor & workforce
- Easily managed with free AL Scheduling & Database Software or real-time software platforms
- Wireless Networkx ArchiTech<sup>®</sup> Series Grade 1, customizable trims & finishes locks plus iLock<sup>®</sup> Mobile App
- Class-leading long battery life on standard batteries for low maintenance



• **Integrated with enterprise access control partners:**

- ▶ Continental Enterprise CA4K v1.2<sup>®</sup>
- ▶ AirAccess<sup>®</sup>
- ▶ Lenel<sup>®</sup> Open Access Alliance<sup>®</sup>
- ▶ E-Access<sup>®</sup>
- ▶ MVP Access<sup>®</sup>



**EASY INSTALL**  
Replaces any door lock, on any door type, neatly, quickly

**MORE AFFORDABLE**  
Lowest labor & equipment costs without sacrificing top electronic access features

**EASY NETWORK**  
No wires to run to doors. Uses customers' existing network or Ethernet & multi-lock gateways & optional repeaters

**CENTRALLY MANAGED**  
Auto-Schedule program updates, queries, or free access by time, by door & more New Real-Time Platform Integration Options

**USERS**  
Supports thousands of PIN, ID or iLock App users. Easily added/removed local or remotely

**GLOBAL LOCKDOWN**  
or unlock in seconds from the server or any lock

Up to 2000 locks and a PC communicate wirelessly through bidirectional Gateways—eliminating the need for door-to-door programming and audit trail retrieval. System Management with DL-WINDOWS or Enterprise Solutions:

*In seconds, global lockdown or unlock can be implemented from any Trilogy lock, even if the DL-WINDOWS computer is inaccessible or offline!*

## 3 Gateways: For Easier Networking, Now with Offline-Preconfiguration from any Smart Device (63 Locks/Gateway)

### AL-IM3-80211 Gen. 3 Hardware & Wireless Gateway

The Trilogy Networkx 3rd Generation Gateways interface up to 63 Networkx Locks with a PC network. The new 80211 model now features networking via either a hardwire Ethernet connection &/or wirelessly via a bi-directional radio. Similar in function to the original Networkx Gateway Modules, & able to be intermixed with them, but now featuring dual mode installation flexibility & new "Offline-Preconfiguration" from any smart device or PC/laptop, i.e., enabling setup prior to getting on the job-site. Gen 3 Gateways require DL-Windows version 5.5 +, support up to 7 of the same AL-IME2 Expanders (which extend the range up to 100 feet); 3 LED indicators display Gateway's operational status. AC transformer supplied.



(Note: Original Gateways still supported)

### AL-IM3-POE Gateway

With all the features & functionality of the above, but AL-IM3-POE (Power Over Ethernet) Hardwired Gateway interfaces Networkx locks with a PC network w/hardwire Power-Over-Ethernet. Gen 3 Gateways require DL-Windows version 5.5 +, support up to 7 of the same AL-IME2 Expanders which extend the range up to 100 ft.); 3 LED indicators display Gateway's operational status.



### AL-IME2-EXP Expander

Trilogy<sup>®</sup> Networkx<sup>™</sup> Expander extends the coverage area BOTH Gen 2 & 3 Series Gateways to Trilogy Networkx Locks within a PC network, allowing greater distances for the placement of up to a maximum rated capacity of 63 Networkx locks per Version 2 or 3 Gateways.



### AL-IME2-PIE Plug-in Expander

As above, this Plug-In Expander extends the coverage area of either Gen 2 or 3 Series Gateways.







**Network Models for Every Application All With Common Operations & Usage**  
(PIN/Prox Narrowstyle & Cylindrical shown):



- **Compact gateway modules are available in wireless/hardwired and POE versions** (with Power Over Ethernet (POE) opt. (shown prior pg). The hybrid model connects using either 802.11, Ethernet cable or 100 Base-TX (using RJ45 Jack); wired version uses an RJ-45 Ethernet cable. Network communications support both wired Ethernet 10Base-T & wireless 802.11
- For the fastest most reliable networked system, in discovery setup mode, the system will locate & DL-WINDOWS will display each lock's signal strength at each installed gateway, so you can select it & optimize reliable communications & eliminate guesswork. Also new Offline Preconfiguration from any smart device with Gen. 3 Gateways.
- Lock programming, user- and usage-data are stored locally at the battery-powered lock for uninterrupted door access usage in a power outage or server offline situation

- Trilogy Network Lock Specifications:**
- Weatherproof locks for indoor/outdoor use with wide operating temperature range (-31 to 151° degrees F).
  - Cylindrical models boast industrial strength BHMA Grade 1 durability and all models feature vandal-resistant all-metal keypad for PIN codes.
  - PDL versions, HID Prox. Reader (HID iClass also supported in select 8000 Series models.).
  - ADA-compliant leversets.
  - Easy-to-install modified ANSI A115 Series door prep; easily & neatly retrofit standard cylindrical knobsets & mechanical standalone locks, in under an hour. Non-handed
  - 3-hour UL fire-rated deadlatch.
  - Supports 1-5/8 to 1-7/8" door thickness; 2-3/4" backset (2-3/8" available.)
  - Manual key override standard; most IC cores also supported on interchangeable core models.
  - Wide choice of 3 Architectural finishes US 19 matte black, 26D satin chrome, 10B duronodic) & IC core preps (6-7pin).

**Enterprise Networks, Real-Time Performance**

- Network locks can be used as wireless, single-door controllers in real time, too
- Use with AirAccess or MVP Cloud-Hosted Platform; Continental Enterprise, E-Access Embedded Web-Browser Based Systems; or, Lenel OnGuard\*\*



**Trilogy Network Wireless Networking Access Locks**

**PDL6100: Cylindrical Lock**

- Provide all standalone Trilogy lock functionality plus new network-wide and emergency lockdown features
- 5000 users with 3-6 digit PINs or HID® ID cards
- Includes Door Position Switch/Request to Exit
- Flexible System Monitoring, Control & Programming
- Unsurpassed 5-year+ battery life, typical, using 4 C-cell off-the-shelf batteries (supplied)
- Grade 1 durability, rugged clutch mechanism and weatherproof for use inside or out
- **PDL6200** with built in HID prox reader (shown left) accepts most HID Proximity cards and keyfobs; & **DL6100** has keypad only;
- For Prox iClass™ ID cardholder support with DPS/REX, specify model **PDL8200**
- Flashing Lock Down Indicator on Inside Door



Lockdown indicator on back, model PDL6200LD, shown

**PDL6300 Double-sided Cylindrical Prox Lock**

- Double-sided Trilogy lock functionality from 2 sides of the door; PIN/Prox access logged coming and going
- Built-in HID prox reader accepts most HID Proximity cards and keyfobs
- Rugged clutch mechanism and Grade 1 durability ensure long life
- Flexible System Monitoring, Control & Programming
- Long life battery operated; 4AA batteries, 60,000 cycles, typ.
- Weatherproof for use inside or out - A jetway favorite



Remote keyfob support for lock, unlock or global lockdown activation (RR-4BKEYFOB)

## Advanced Wireless Access Control: More Network Models & Options

### PDL6600: Mortise Lock

- Keyless Access Lock for mortise door prep
- High security mortise locking
- Flexible System Monitoring, Control & Programming Weatherproof & long-life battery operated
- Includes Door Position Switch/Request to Exit
- 1-3/8" mortise cylinder included
- Choice of classroom or deadbolt functions & finishes
- **PDL6600** with built in HID prox reader (shown left) accepts most HID Proximity cards & keyfobs
- For Prox iClass™ ID cardholder support with DPS/REX, specify model **PDL8600**



### P/DL1300NW: Narrow Stile Lock Trim

- Add keyless access, automatic lock & free passage schedules to glass doors; plus add remote keyfob support and emergency global lockdown in seconds
- Aluminum door retrofit outside trim for most Adams Rite® Series Latch Locks (1850, 1950, 4710, 4070, 4730, 4900 Series & MS1850S & MS1950S Series)
- 5000 users with 3-6 digit PINs or HID® ID cards; Flexible System Monitoring, Control & Programming
- Weatherproof and long-life battery operated thumbturn (25) or knob (50) on inner door.
- **PDL1300NW** with built in HID prox reader; **DL1300NW** keypad only



### ETDLN/ETPDNRX: Exit Trim

- Add Trilogy Networkx keyless pushbutton convenience and labor-savings to any panic exit bar
- Rugged clutch mechanism insures long life and durability
- Flexible system monitoring, control & programming
- Models available for Von Duprin™, Sargent™, Yale™, Corbin/Ruswin™, Dorma™, Marks M9900 or Arrow™ push bars
- Weatherproof and long-life battery operated
- **ETPDNRX** with built in HID prox reader (shown right) accepts most HID Proximity cards & keyfobs + Request to Exit function.; **ETDLN** has keypad only; Prox only model available
- For Prox iClass™ ID cardholder support with REX, specify model **ETPDNRX**



### P/DL1300NWET: Narrow Stile Exit Trim

- For use with Jackson®, Dor-O-Matic®, Von Duprin®, Dorma®, Arrow®, DCI® & Corbin® panic devices. NOTE: Must use P/DL1350NWET or P/DL1325NWET with Dor-O-Matic, 2090, Jackson 1095 & Dorma 5300 as they require more than 85° rotation. Dor-O-Matic, Jackson & Dorma devices require thumbturn or knob; must purchase separate tailpiece assembly

### CABG1: Wireless Standalone or Integrated Keypad

- Wireless Touch Sense Digital Lit Keypad w/Lithium Battery, 5K users, 500 events, 20K audit trail (use standalone or networks w/ locks)††



### NETDK/NETPDK: Networkx® Wireless Keypads

- Global lockdown and passage from keypad or PC, schedules, 35K event log, door position status indicator, request-to-exit, door ajar/kick-in, remote release options
  - Ideal for use with strikes, mag, electrified exit devices
  - 5000 users with 3-6 digit PINs or HID® ID's
  - Versatile for indoors or outside, ideal for education, healthcare, government, airports, courts & retail
  - Familiar Trilogy operation; flexible system monitoring, control & programming †
  - **NETPDK** with built in HID prox reader accepts most HID Proximity cards and keyfobs; **NETDK** has keypad only
- †Note: Keypads currently NOT supported by Enterprise Platforms



### Networkx NetPanel 2-Door Access Controller

- Versatile for indoors & outside; ideal for education, healthcare, government, airports, courts & retail, parking gates
- NetPanel supports 2 doors using up to 2 of any combination NETDK or NETPDK keypads or 2 Wiegand devices. Keypads are wired to NetPanel to provide controlled access to a door by releasing a locking device (i.e., mag lock or electric strike) when an authorized user code or prox ID is presented
- Saves Workforce - Bidirectional 802.11/ethernet network communications updates, users, time-schedules & audit trail queries — w/o ever going to the keypads
- 5000 users with 3-6 digit PINs or HID ID cards (also in NETP/DK Paks with Networkx Keypads (above) &/or readers)
- Featuring: Familiar Trilogy programming; special 2-Door mode; global lockdown & passage from keypad or PC, schedules, 35K event log, REX, door ajar/kick-in, remote release
- Includes 12V power supply w/ transformer & provision for back-up battery; 2 Form-C relays; Inputs for door-position contact; Inputs for remote release button or sensor
- Also ideal for use with AirAccess (below), especially for outdoor gate control

### NetPanel with Keypads NETPDK & NETDK



**Cloud-Based ACaaS With Easy Cell Networking Auto-Connects Like A Cellphone. For New Or Retrofit Systems: Adds Subscriber Services & Mgt From A Remote PC/Server - Ideal For Small/Medium Business Accounts**

**For More On AirAccess,**  
See [www.airaccess.com](http://www.airaccess.com) or consult training schedule [www.alarmlock.com/seminars](http://www.alarmlock.com/seminars)





## Trilogy Networkx® Series Wireless Access Lock Features by Model

Model & Feature	PDL6200	PDL6600	PDL6300	P/DL1300NW	ETPDNRX, ETDLN	NETDK, NETPK
Lock Type	Cylindrical	Mortise	Cylindrical	Narrow stile (also PDL1300NWET series for use w/ exit device)	For use with exit device	Keypads
User Codes	5000	5000	5000	5000	5000	5000
Code Length	3-6 digits	3-6 digits	3-6 digits	3-6 digits	3-6 digits	3-6 digits
Programming	Keypad / PC	Keypad / PC	Keypad / PC	Keypad / PC	Keypad / PC	Keypad / PC
Vandal-Proof Keypad	All metal, 12 button	All metal 12-button	All metal 12-button	All metal, 12 button	All metal, 12 button	All metal 12-button
Trim w/Rugged Clutch	Straight or curved lever	Straight or curved lever	Straight or curved lever	Straight or curved lever	Straight or curved lever	
Audit Trail Events	35000	35000	40000	35000	40000	35000
Scheduled Events	500	500		500	500	500
Reader/Credential Support	DL6100 PIN-only; PDL6200 for HID Prox; PDL8200 for iClass support PDL6300 Dual-Sided HID Prox	PDL6600 for HID Prox; PDL8600 for iClass support	Dual-Sided HID Prox	PDL1300NW for HID Prox	ETPDNRX for HID Prox; ETPDNRXNI for iClass support	NETPKD for HID Prox
Lockdown w/ Flashing Bar (Privacy)	Global lockdown via lock, server or optional keyfob	Global lockdown via lock, server or optional keyfob	Global lockdown via lock, server or optional keyfob	Global lockdown via lock, server or optional keyfob	Global lockdown via lock, server or optional keyfob	††† Global lockdown via lock, server or optional keyfob
Door Position Switch †	PDL6200; PDL8200 with iClass support	PDL6600; PDL8600 with iClass support				
Request to Exit †	PDL6200; PDL8200 with iClass support	PDL6600; PDL8600 with iClass support			ETPDN-RX; ETPDNI-RX with iClass support	
Weather-Proof -31 to 151° F	Standard	Standard	Standard	Standard	Standard	Standard
Handing	Non-handed	Handed	Non-handed, fully field reversible	Non-handed, fully field reversible	Non-handed, fully field reversible	
Door Thickness	1-5/8 to 1-7/8" (others on request)	1-5/8 - 1-7/8"	1-5/8 to 1-7/8" (others on request)	1-3/4"	1-5/8 to 1-7/8" (others on request)	
Backset	2-3/4" (included); 2-3/8" option.	2-3/4" (included)	2-3/4" (included)	31/32, 1-1/8 & 1-1/2"; Stile Thickness 1-3/4"		
Cylinder	Large key-in-knob, incld -or- IC Prep for Best/Falcon/Arrow (cylinder not incldd.)	Generic mortise cylinder supplied	Large key-in-knob, incld -or- IC Prep for Best, only	1-1/4" mortise cylinder, supplied; for Best, Falcon, Arrow prep cam and housing available (cylinder not incldd.)	Generic rim cylinder supplied. For other manufacturers' cylinders, adapters can be ordered separately	
Special Order Cylinders	Yale, Medeco, Sargent, Corbin/Russwin, Schlage					
Relay Options	Yes	Yes	No	No	Yes	Yes
Battery/Cycles Typical	4 C cells; 500,000 or up to 5 years	5AA; 60000	4AA; 60,000 or up to 3 - 4 years	4AA; 100,000 or up to 3 - 4 years	4 C cells; 500,000 or up to 5 years	4 C cells; 500,000 or up to 5 years
Ratings	BHMA Grade 1 Lockset; 3hr. Fire Rated UL	3 Hour fire rated UL	3 Hour fire rated UL	3 Hour fire rated UL	3 Hour fire rated UL	
Architectural Finishes	US26D, US10B, US19	US26D, US10B, US19	US26D, US10B, US19	US26D, US10B, US19	US26D, US10B, US19	US26D, US10B

††† Note: For Optional use w/ NetPanel 2-Door Panel. Keypads have NO real-time platform support options. Note: Standard finishes are US26D Satin Chrome & US 19 Black 10B Duronodic. Consult factory for any other finishes. All products proudly backed by 2-year factory warranty.

### Trilogy Networkx Advanced Wireless Access Locks Ordering Information:

**PDL6200** Cylindrical Trilogy Networkx PIN/Prox. wireless access control lock with built in HID proximity ID card reader and Door Position Switch/Request to Exit feature Flashing Lock Down Indicator on Inside Door

**PDL8200** As above, w/ iClass support

**PDL6600** Mortise Trilogy Networkx PIN/Prox. wireless access control lock with built in HID proximity ID card reader and Door Position Switch/Request to Exit feature

**PDL8600** PIN/Prox Model as above, with iClass support

**PDL6300** Cylindrical Trilogy Networkx double-sided PIN/Prox. wireless access control lock with built in HID proximity ID card reader

**PDL1300NW** Networkx narrow stile wireless access prox lock trim w/built in HID proximity ID card reader

**DL1300NW** As above, with full-metal digital keypad only

**PDL1300NWET** Networkx narrow stile exit trim with built in HID proximity ID card reader†

**DL1300NWET** As above, with full-metal digital keypad only†

**ETDLN** Trilogy Networkx wireless access lock trim with full-metal digital keypad only

**ETPDNRX** Trilogy Networkx wireless access lock trim with built-in HID proximity ID card reader with Request to Exit feature

**ETPDNIRX** As above, with iClass support

**NETDK** DK Wireless Keypad, only (†† Keypads do not currently support enterprise software management platforms.)

**NETPKD** DK Wireless Keypad with built-in HID proximity ID card reader, as above. ††

**NETWORKX PANEL** 2-Door Access Panel for Keypads or Wiegand Devices, see above, also in NETP/DKPAK Packs

**CABG1** Wireless Touch Sense Digital Keypad with Lithium Batty' (standalone or networks with Locks) ††

**AL-IM3-80211** Gateway, Gen 3 Wired/Wireless

**AL-IM3-POE** Gateway, Gen. 3 Power Over Ethernet, No AC power required (Supports Gen 2 Expanders)

**AL-IM2-EXP** Expander, Gen. 2 Wireless (supports Gen 2/3 Gateways)

**AL-IM2-PIE** Expander Gen. 2 Plug-in Wireless Expander, AC power required

**RR-4BKEYFOB** Optional 4-button remote keyfob

**AL-NSM** Optional Site Survey Tool for Networkx Gateways

**AL-DTMII** Portable Lock Data Download Module

**AL-PCI2-U** Lock PCI w/ USB Interface cable

**AL-NSG** Optional Gateway Simulator Aid

**PCE** Reader/Enroller Portable tool for enrolling Napco Smart Prox or Standard Prox credentials

**AL-PRE2** Proximity Credential Reader/Enroller

**DL-WINDOWS** Free Alarm Lock Trilogy Windows-based database software online at [www.alarmlock.com](http://www.alarmlock.com)

**AA-KIT1A** AIRACCESS Starter Kit for real-time Trilogy Networkx Mgt for full info see ALA537 Spec Sheet, or go to: [www.airaccess.com](http://www.airaccess.com) or ask any Alarm Lock Rep

**NAE-LI** Napco E-Access Web-Browser-Based Access Systems Interface Module supports up to 8 Networkx Locks. For More on E-Access, ask your Alarm Lock Rep

**MVP Access** Cloud-Based Security Management Platform, coming soon - ask any Alarm Lock Rep

Coming Soon!



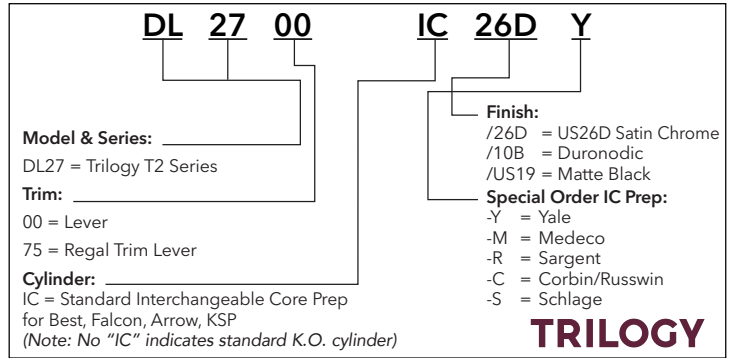
## New TL-Series

- EZ Touch Sense Panel with illuminating numbers brighten to the touch & go dark after use (in lieu of metal keypad)
- Same Operation, programming & functions as standard models
- PIN and PIN/Prox models

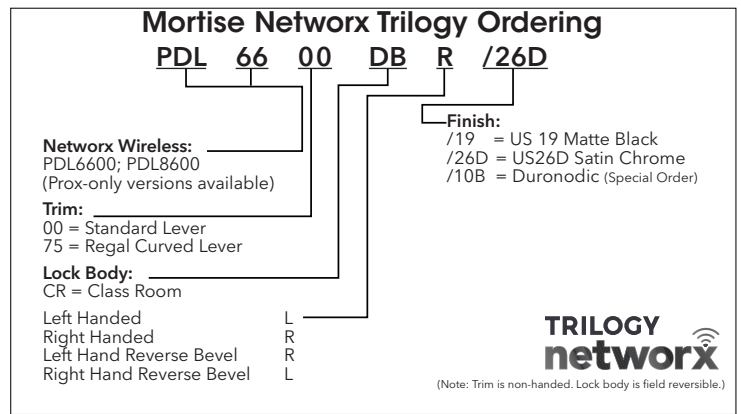
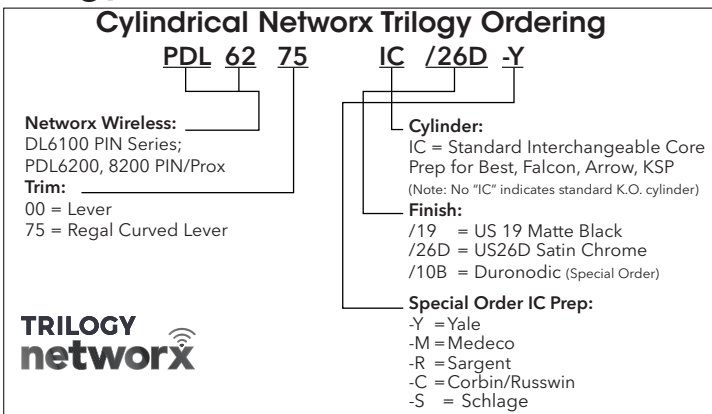
Keep in Touch with Alarm Lock Rep for More



## How to Order Standalone Locks Triology T2 Standalone Models



## How to Order Networked Locks Triology Networkx Wireless Access Models



## ArchiTech™ Networkx Designer Wireless Locking

ArchiTech™ Customizable Networkx Locks are available with designer, minimalist look & concealed electronics in choice of multi-tech readers & hundreds of styles & finishes. All the features & advanced networking functions of Triology Networkx, above, but with custom combinations for every building or decor - haute new or iconic retrofits. For ArchiTech™ configurations & ordering, ask your local rep or see chart below.

